



Hall Research Technologies, Inc

1163 Warner Ave.

Tustin, CA 92780

Phone: (714) 641-6607

Fax: (714) 641-6698

1x3 Composite Splitter
and
1x3 S-Video Splitter
in one



Model CSV-3

UMA1041 Rev. n/c

January 1, 2007

Description

The Model CSV-3 is a compact and highly versatile S-video and Composite Video 3-way video splitter in one tiny box. Use this unit to split a Composite Video, S-Video, or both 3-ways with no loss in image quality or ghosting. The outputs can also drive video cables to 200 feet (please contact HRT for recommended cable type and part number).

The Model CSV-3 terminates the input signals (to eliminate reflections and ghosting), buffers the signals using 250 MHz video amplifiers, and independently drives each output. A blue LED indicates power on status.

Hall Research offers top-quality S-video and Composite Video cables (with RCA and/or BNC) at lengths up to 100 feet or longer..

Features

- Powerful wideband amplifiers buffer the signal for best image quality
- Allows 3 S-Video and 3-Composite Video (up to 6) monitors to be driven simultaneously
- Very Compact Size
- Can drive long cables

Setup

Your package should include the Model CSV-3 and a power adapter. Please take inventory of the items received and ensure that you have the above items.

Connect CV IN and/or S-VID IN (either individually or simultaneously) to your video source(s). You will require a cable for each connection. It is highly recommended that you use multi-coaxial high-resolution video cables for this purpose. The cables would generally be male-to-male. Hall Research can provide cables from 3 feet to 100 feet or more.

Connect the display devices such as monitors or video projectors to the outputs of the splitter.

Do Not Substitute Any Other DC Power Source

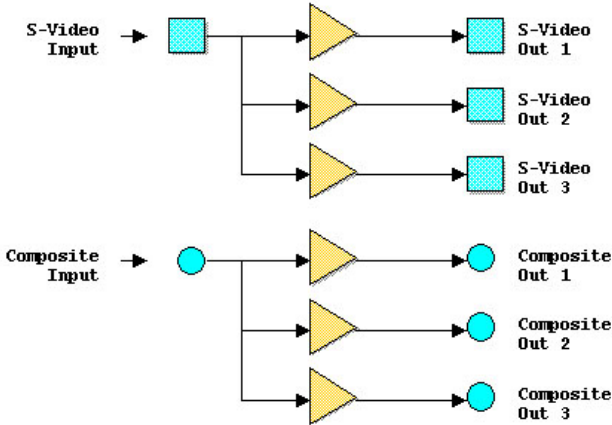


Input Side



Output Side

Block Diagram



Specifications

Equipment included:

- UL approved 110 V AC adapter (6 V DC @ 300 ma output on 2.5mm center positive coaxial plug)
- (220 V AC adapters with CE approval are also available, please specify at the time of order).

Dimensions: L x W x H: 3¼ x 1½ x 1 inch

Video Specs:

Coupling DC
Signal Level Video: 1 v p-p
Bandwidth: Range: DC to 250 MHz
Input impedance: 75 ohms on CV, Y, and C

Federal Communications Commission Statement

This equipment generates, uses and radiates radio frequency energy and, if not installed and used in accordance with the instructions, may cause harmful interference to radio communications. This equipment has been tested and found to comply with the limits for a Class A computing device, pursuant to Part 15 of the FCC rules. Harmful interference when operated in a commercial environment. Operation of this equipment in a residential area is likely to cause interference, in which case the user, at his own expense, will be required to take whatever measures are necessary to correct the interference.

If necessary, you should consult the place of purchase or an experienced radio/television technician for additional suggestions.

Warranty

HRT warrants that the supplied equipment is free from defective workmanship and material. Subject to the agreements set forth, will repair or replace, at its option, the defective components for a period of 2 years after purchase. The following conditions apply to the Warranty:

- Warranty void if item subject to improper use, negligence, or unauthorized modification
- Instructions must be followed in obtaining RMA number as explained below
- Any defective part should be returned, *insured and freight prepaid*, to Hall Research, with the following:
 - Return Material Authorization Number (RMA#)
 - Description of failure, as detailed as possible
 - Shipping address and contact name and phone number

Limited Liability

IN NO EVENT SHALL THE DIRECT VENDOR'S LIABILITY EXCEED THE PRICE PAID FOR THE PRODUCT FROM DIRECT, INDIRECT, SPECIAL INCIDENTAL OR CONSEQUENTIAL DAMAGES RESULTING FROM THE USE OF THE PRODUCT OR ITS DOCUMENTATION

© Copyright 2007. Hall Research Technologies, Inc.

All rights reserved.

1163 Warner Ave., Tustin, CA 92780

Ph: (714)641-6607 , Fax: (714)641-6698